



Box Ceiling Baffle

Product Specifications

Description

FUZ box baffles are single baffles offering adjustable hang points. FUZ box baffles can have joined pieces to make longer, seamless runs.

Dimensions

Thickness: 2"
Height: 11.75"
Lengths: 97.5"
Custom sizes available

Content

100% polyester PET fibre material

Application

Ceiling

Acoustic Performance

NRC rating up to 1.03

Fire Rating

ASTM E-84 - Class A

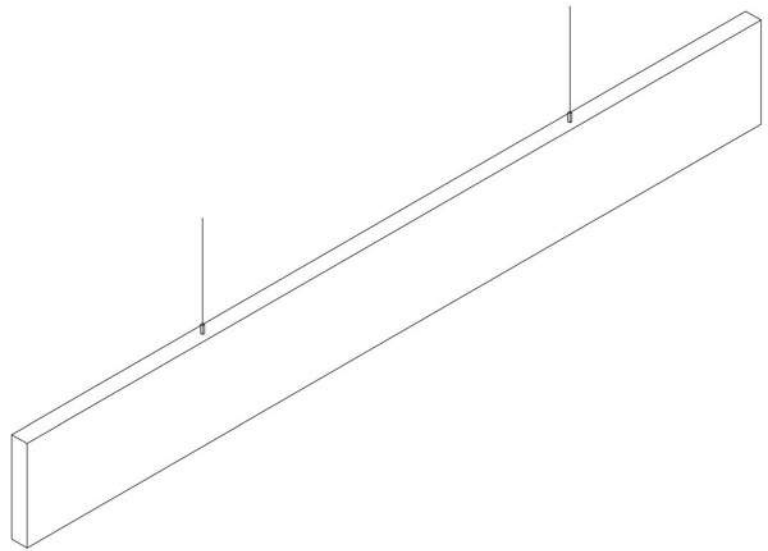
Maintenance

Vacuum to remove general air-borne debris

Installation

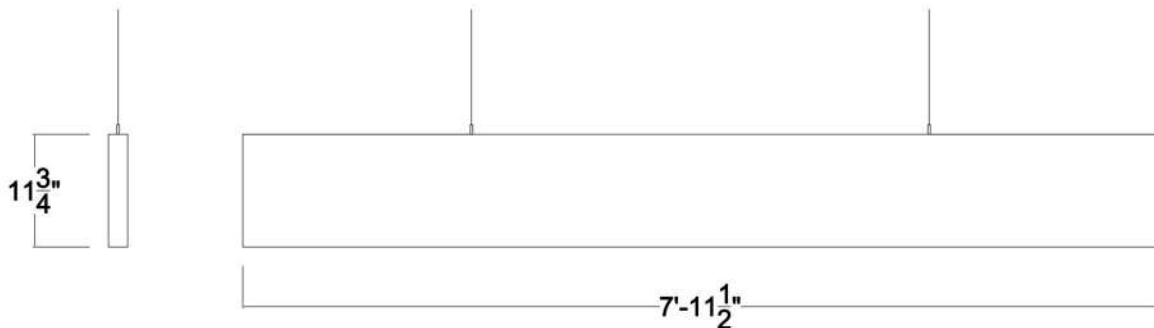
Suspension clips & cable

Metal or plastic U-channel suspended with cable

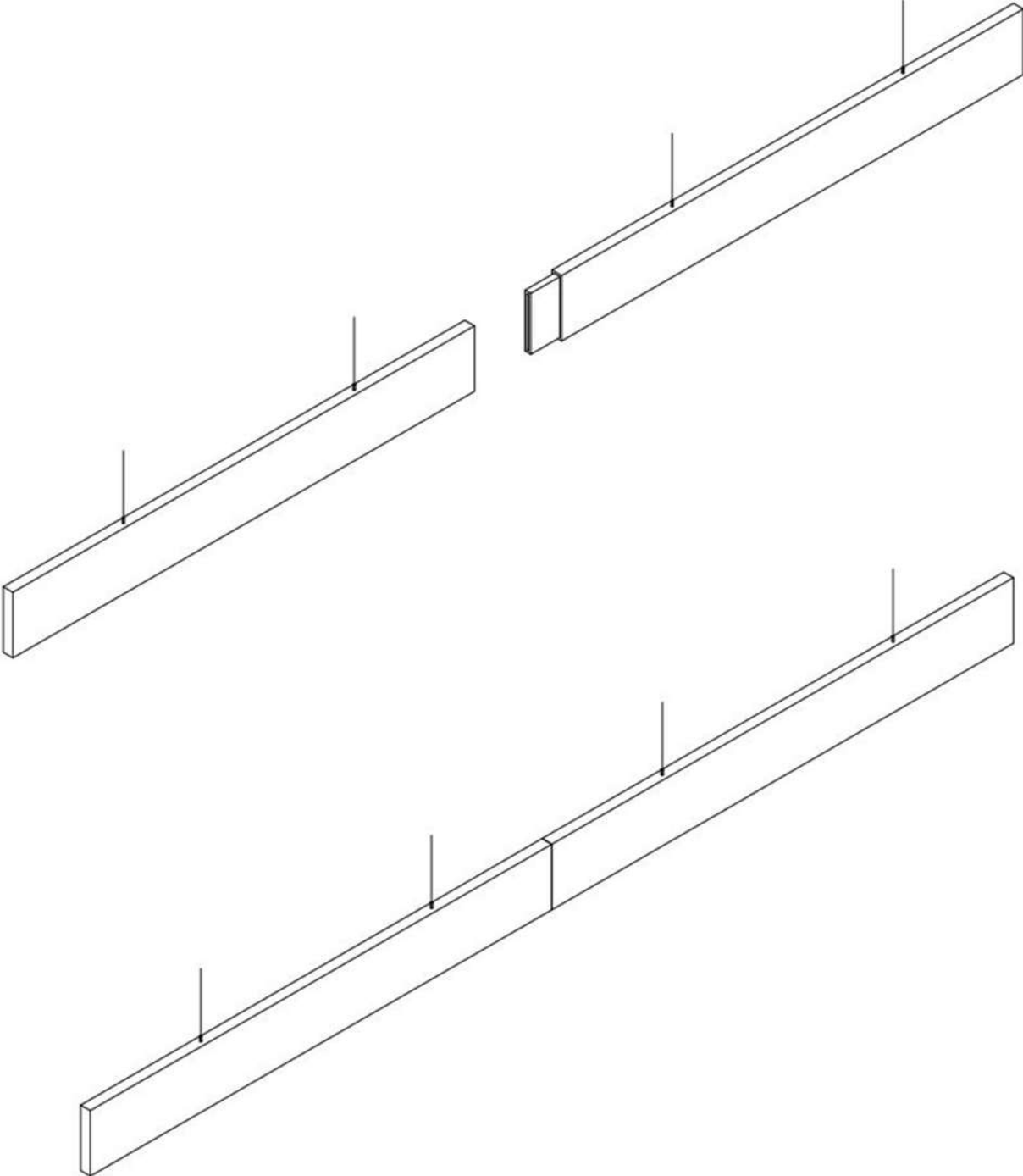


Standard dimensions of a FUZ Box Baffle

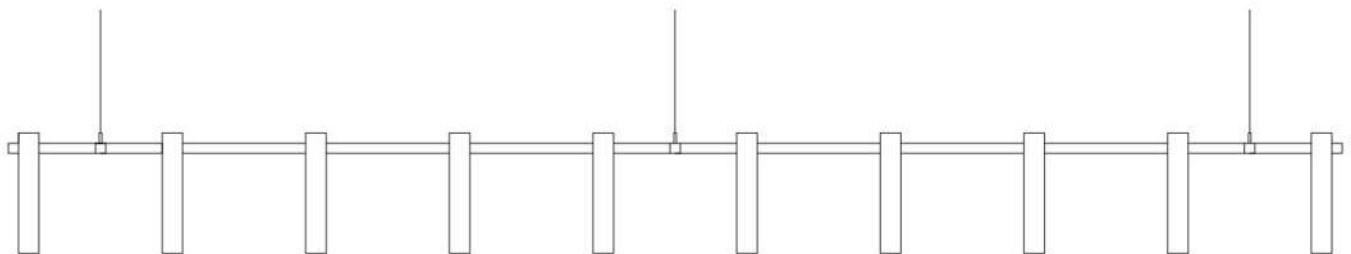
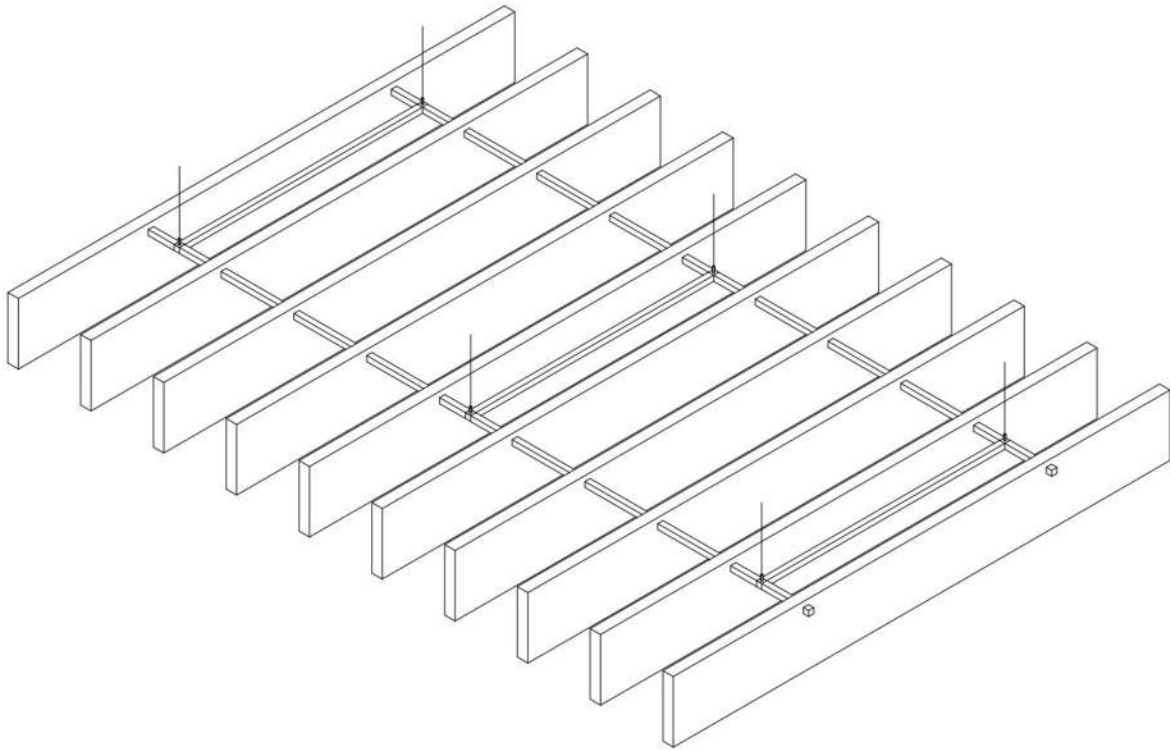
*Custom sizes available



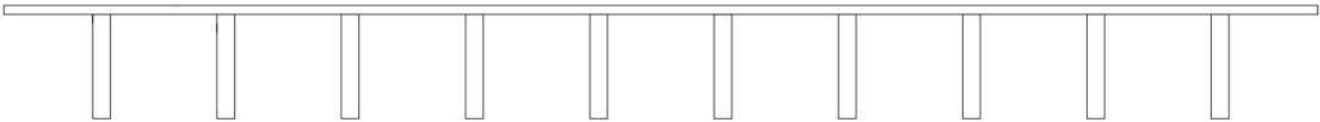
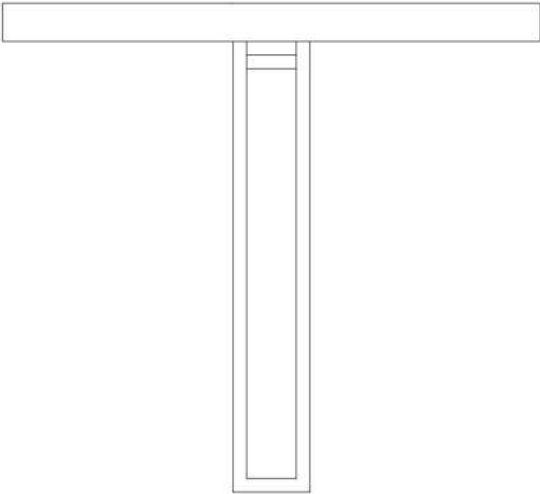
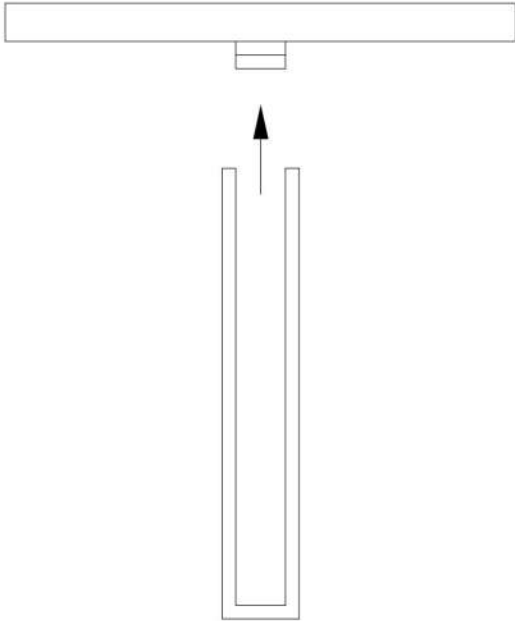
Continuous Box Ceiling Baffle



Suspended U-channel Box Grid



Direct Ceiling Mount



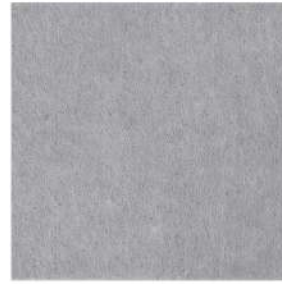
Colour Selection



Colour 105



Colour 104



Colour 706



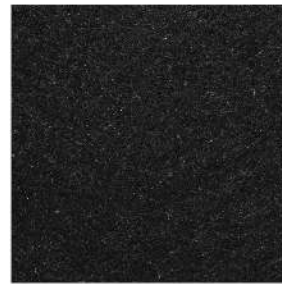
Colour 132



Colour 133



Colour 134



Colour 111



Colour 101



Colour 821



Colour 825



Colour 619



Colour 620



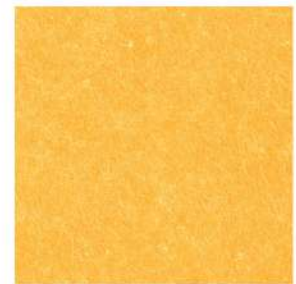
Colour 214



Colour 512

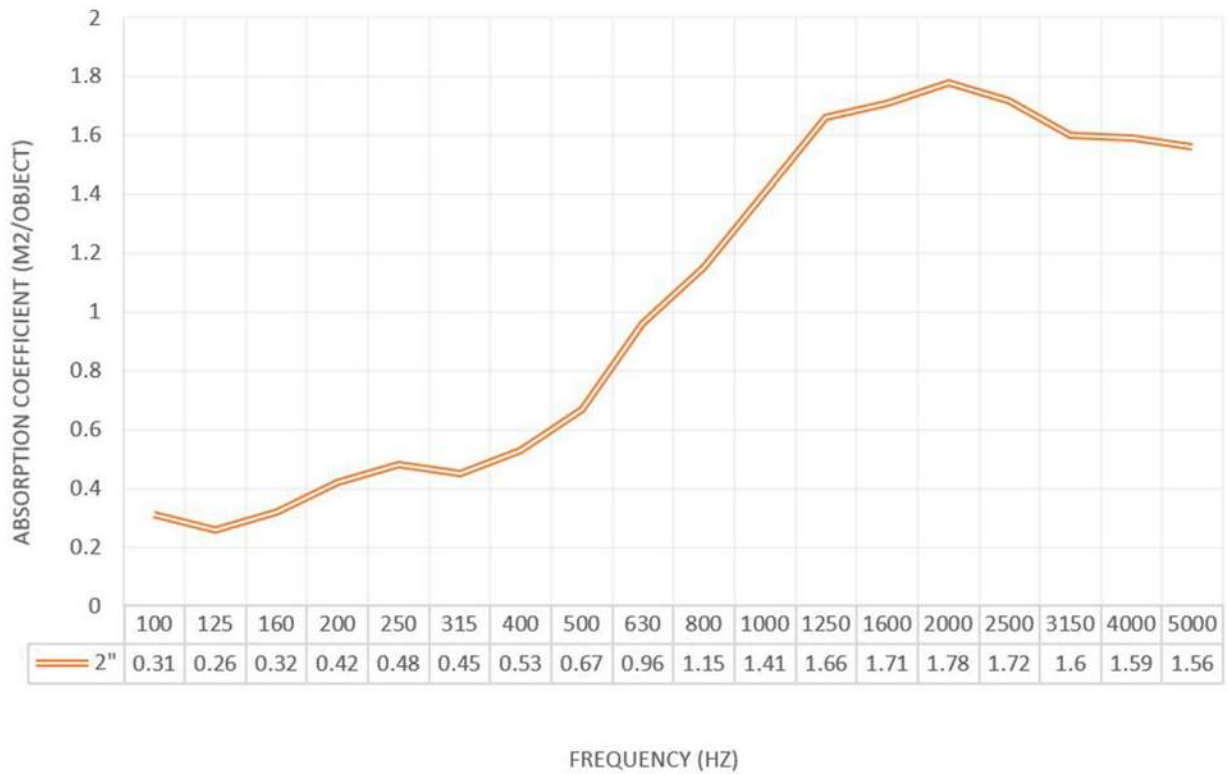


Colour 410



Colour 409

Acoustic Performance



- NRC 1.03
- SAA 1.01

Refer to the ASTM C423 chart for individual values of Absorption coefficients/frequency.

NRC ratings are subject to various circumstances such as mounting conditions and analytical properties.

